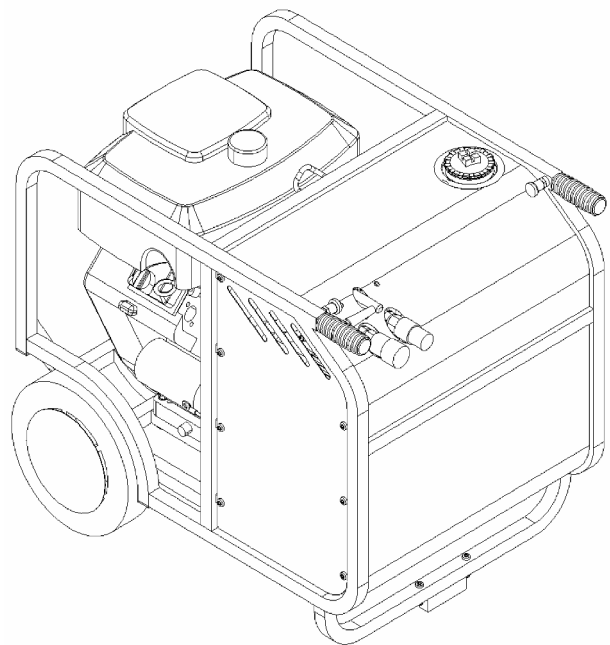


Operating Instructions

Spare Parts List

Drive Unit PGH18★★

Index / Indice «000»



Manufacturer's address:

TYROLIT Hydrostress AG

Witzbergstrasse 18

CH-8330 Pfäffikon

Switzerland

Tel. +41 (0) 44 / 952 18 18

Fax +41 (0) 44 / 952 18 00

e-mail: info@tyrolit.com

www.tyrolit.com

TYROLIT Hydrostress AG reserves the right to make technical changes without prior notice.

Copyright © 2005 TYROLIT Hydrostress AG, CH-8330 Pfäffikon ZH

All rights reserved, in particular copying and translation rights.

The reprinting of these Operating Instructions, including extracts, is prohibited. No parts may be reproduced or processed, copied or distributed using an electronic system, in whatever form, without the written permission of TYROLIT Hydrostress AG.

Table of contents

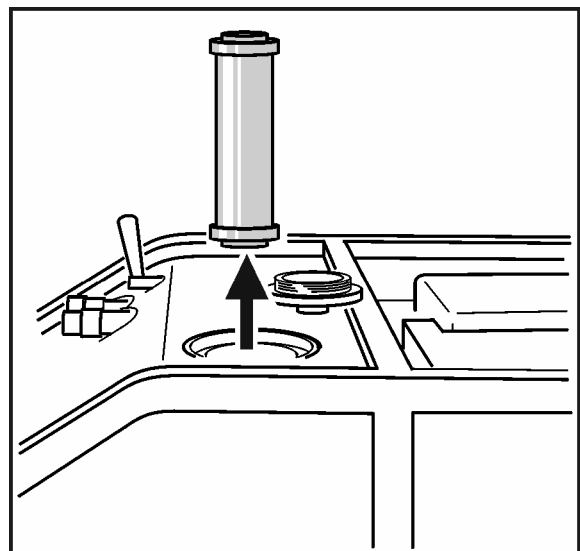
	Page
Safety instructions	2
Filling with hydraulic oil	2
Technical data	3
Starting instructions	4
Regulating the oil quantity	4
Service, maintenance and adjustment.....	5
Oil quality	5
EC Declaration of Conformity	6
Warranty	7

Safety instructions

1. Always wear ear protectors when working. Although the Drive unit PGH18** complies with the EC limiting value, there is nevertheless a risk of hearing damage in the case of long periods of operation.
2. Always connect hoses before starting up.
3. Never fill up with petrol and oil while the engine is running.
4. Always switch off the engine during breaks in work and during service work.
5. Never operate the Drive unit PGH18** without protective guards and covers.
6. Danger due to overheating of the drive unit. If the Drive unit PGH18** is started without any consumer connected, there is a risk of damage from excessive heat.
7. Use a crane to lift the Drive unit PGH18** from the transport trolley.
8. The pressure relief valve is set in the factory to 160 bar. Never increase this setting.
9. Always use filters that have a by-pass. Filters without a by-pass can result in damage to the hoses and to the filter cover.

Filling with hydraulic oil

- Unscrew the tank cover
- Take out the filter element
- Fill up with oil. Check the oil level via the oil sight glass.
(When oil becomes visible in the bottom of the filter unit, there is sufficient oil in the tank)
- Install the filter element
- Screw in the tank cover



Caution: When connecting new extension hoses (containing no oil) top up with oil.

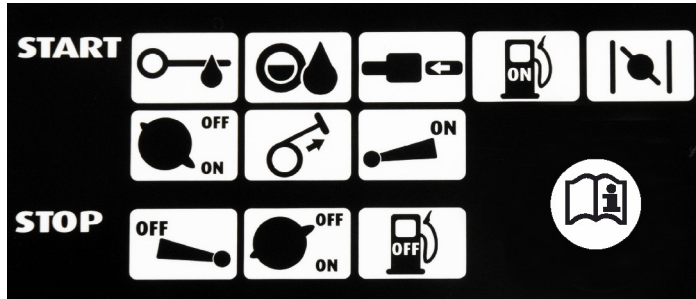
Technical data

Hydraulics

The Drive unit PGH18** is equipped with a pressure relief valve and air cooling.

Oil quantity	20 l.p.m. at 1800 r.p.m. 30 l.p.m. at 2700 r.p.m. 40 l.p.m. at 3600 r.p.m.
Operating pressure, nominal	120 bar
Pressure relief valve	Set to 160 bar
Pump	Gear pump
Oil temperature	Max. 70° C
Hydraulic oil tank	Min. 8 litres/Max. 11 litres
Hydraulic system, complete	12 litres
Filter system (filter element)	25 micron with by-pass
Engine	Vanguard 2-cylinder 18 HP 4-stroke petrol Petrol - ordinary or unleaded Engine oil 1.1 litres
Sound power level, guaranteed L_{WA}	101 dB
Sound pressure level 1 m L_{PA}	89 dB
Dimensions (LxWxH)	805x625x695 mm
Weight, without hydraulic oil	105 kg

Starting instructions



Starting:

- Check engine oil level
- Check level of hydraulic oil at the sight glass
- Connect hoses and tool
- Turn fuel valve to "ON"
- Operate the choke
- Turn the ignition key
- Operate the electric starter or pull the starting cord
- Set the lever to the desired oil quantity 20/30/40 l.p.m. – see below

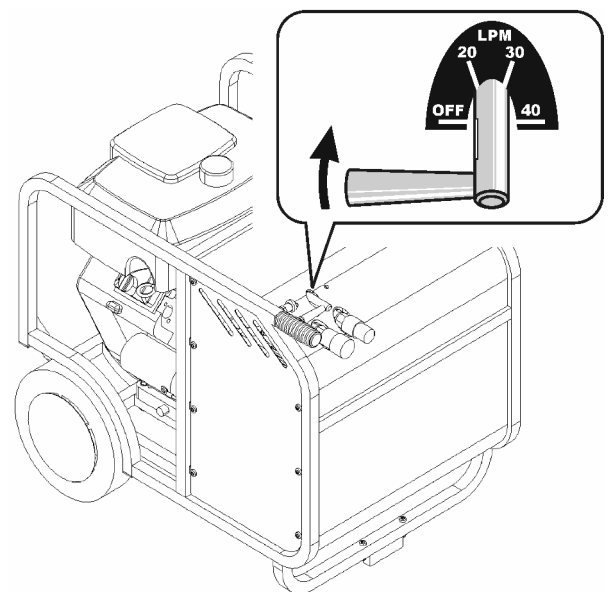
Stopping:

- Set the lever to "OFF"
- Switch off the ignition
- Turn fuel valve to "OFF"

Regulating the oil quantity

In order to adjust the oil quantity to 20, 30 or 40 l.p.m., the lever must be turned to the right. The desired oil quantity can be adjusted precisely with the marking on the rotating handle.

The setting of the pressure relief valve remains the same for all oil quantities.



Service, maintenance and adjustment

Service work must always be carried out by TYROLIT Hydrostress AG or an authorized agency.

Service/maintenance	Daily	Weekly	Yearly
Engine oil	Check		1 x change
Hydraulic oil	Check		1 x change
Hydraulic oil filter			1 x replace
Check hoses		(re-tighten if reqd.)	
Air filter			1 x replace
Fuel filter			1 x replace

Oil quality

TYROLIT recommends: hydraulic oil: HLP / ISO VG 46. Other hydraulic oils conforming to the following specifications may also be used:

Viscosity index:	170
Viscosity class:	HLP VG 46 or ISO 3498 HV 46
Wear-protection according to DIN 51524 Part 3 (HV46)	
Pour point:	-42° C

Different types of hydraulic oil should not be mixed together, otherwise the oil will age prematurely.

EC Declaration of Conformity

Description Drive Unit PGH18**
Type designation PGH18**
Year of construction 2007

We declare under our own liability that this product complies with the following directives and standards:

Directive applied

Machinery Directives 2006/42/EC

Standards applied

EN 12100-1	Safety of machinery – Basic concepts, general
EN 12100-2	design principles
EN 294	Safety of machinery – Safety distances to prevent upper limbs reaching danger areas
EN 349	Safety of machinery – Safety distances to avoid crushing of body parts
EN 982	Safety of machinery Safety requirements of safety systems and their components - hydraulics



Roland Kägi
Equipment Manager

TYROLIT Hydrostress AG
Witzbergstrasse 18
CH-8330 Pfäffikon
Switzerland

Warranty

TYROLIT Warranty Terms

Terms for the end consumer

TYROLIT warrants that the supplied machine is free from material or manufacturing defects. For the undertaking of warranty services by TYROLIT - in international sales, under the express exclusion of the warranty regulations of the UN law on sales of 11 April 1980 - the following conditions shall apply:

1. Any warranty claims must be made within 12 months from hand-over. An undertaking of warranty service does not extend this time limit.
2. Immediately upon a defect being discovered, the machine and/or the affected parts must be sent for repair or replacement to TYROLIT or a local authorised TYROLIT branch office.
3. This warranty covers the free repair or free replacement of the defective parts. No warranty exists over and above this.
4. Parts which are subject to normal wear and tear are not covered by this warranty. Refer to "**Wearing part terms**" in the appendix.
5. The warranty service will only be undertaken providing that the machine has been correctly used, handled, serviced and cleaned in accordance with the operating instructions and the technical integrity has been preserved, i.e. that only original TYROLIT consumable material, accessories and spare parts have been used with the machine.
6. All further claims above this are excluded. In particular, TYROLIT shall not be liable for direct or indirect damages, losses or costs associated with the use of the machine.
7. The warranty expires immediately if the machine or just one individual component of it is in any way converted, changed or modified.
8. Any verbal or implicit warranty agreements are invalid. Implicit assurances concerning the use or suitability for a particular purpose are expressly excluded.
9. For second-hand machines, TYROLIT Hydrostress AG grants a warranty of 6 months from delivery ex works Pfäffikon ZH.

TYROLIT Wearing Part Terms

Wearing parts are those parts which are subject to operational wear and tear when the machine is used correctly. The wear period depends on the individual duration and intensity of use. The wearing parts must be maintained, adjusted and if necessary replaced according to the manufacturer's operating instructions or handed over to the Service Center of TYROLIT for maintenance according to the operating instructions.

Operational wear and tear does not give entitlement to warranty claims.

Wearing parts are, for example:

- Feed and drive elements, such as toothed racks, toothed wheels, pinions, spindles, spindle nuts, spindle bearings, wires, chains, chain wheels, belts, toothed belts, hollow hubs
- Seals, cables, hoses, sleeves, connectors, couplings
- Switches for pneumatics, hydraulics, water, electricity and fuel
- Guide elements, such as guide beads, guide bushes, guide rails, rollers, bearings and anti-slip supports
- Electromotor
- Clamps of quick-release systems
- Flushing head seals
- Friction and anti-friction bearings
- Shaft sealing rings and seals
- Friction and overload couplings, brake devices
- Carbon brushes, collectors
- Easy release rings
- Adjusting potentiometers and manual control elements
- Fuses and lamps
- Auxiliary and operating resources
- Anchoring elements such as dowels, tie bolts and screws
- Floor coverings
- Lamellas
- Membranes
- Spark plugs, glow plugs
- Parts of the reversing starter such as starting cord, starting handle, starting roller, starting spring
- Sealing brushes, rubber seals, splash guards
- Filters of all kinds
- Drive and diverter rolls and bandages
- Wire movement guards
- Blade guard elements
- Running and drive wheels
- Water pumps, hydraulic pumps, hydraulic motors
- Cutting spoil transport rollers
- Drilling, parting-off and cutting tools
- Measuring devices in the cooling water circuit
- Storage batteries

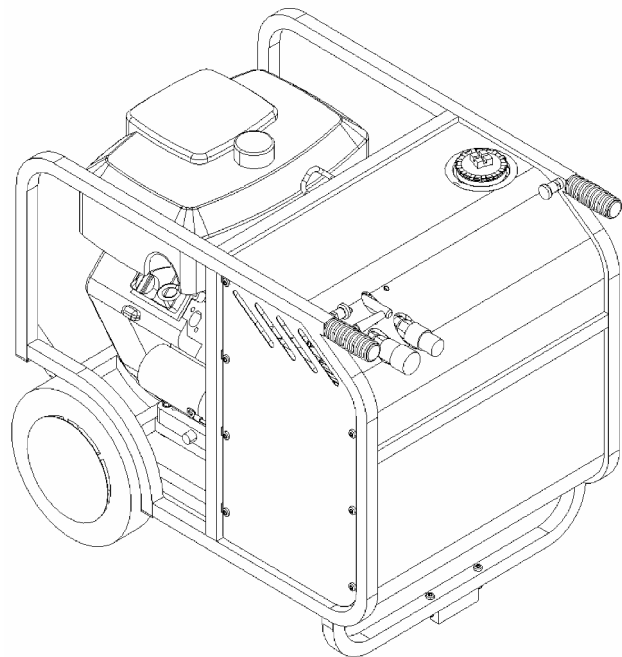
No claim is made regarding the completeness of the above wearing parts list.

Ersatzteilliste

Spare Parts List / Liste des pièces détachées / Lista delle parti di ricambio

PPH18★★

Index / Indice «000»



Verwendung der Ersatzteilliste

Die Ersatzteilliste ist keine Montage- oder Demontageanleitung. Diese Ersatzteilliste dient ausschliesslich zum einfachen und schnellen Finden von Ersatzteilen, die bei der untenstehenden Adresse bestellt werden können.

Sicherheitsvorschrift



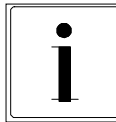
Gefahr

Montieren oder demontieren von Baugruppen kann Risiken bergen, auf die in dieser Ersatzteilliste nicht hingewiesen wird.

Das Verwenden dieser Ersatzteilliste für Montage- oder Demontagezwecke ist strikte verboten. Für Montage- und Demontagearbeiten sind ausschliesslich die entsprechenden Beschreibungen in der Betriebsanleitung zu befolgen.

Nichtbeachten dieser Vorschrift kann zu Verletzungen führen, die im schlimmsten Fall auch den Tod zur Folge haben könnten.

Bestellungen



Information

Um Falschlieferungen zu vermeiden sollten vor der Versendung die Angaben in der Bestellung auf Richtigkeit und Vollständigkeit (siehe unter Bestellangaben) überprüft werden.

Es ist auch darauf zu achten, dass die Lieferadresse vollständig angegeben ist.

Bestelladresse:

TYROLIT Hydrostress AG

Witzbergstrasse 18
CH-8330 Pfäffikon
Switzerland
Tel. +41 (0) 44 / 952 18 18
Fax +41 (0) 44 / 952 18 00
e-mail: info@tyrolit.com

www.tyrolit.com

Ersatzteilliste

Bestellangaben

Bei Bestellungen von Ersatzteilen benötigen wir folgende Angaben:

- Maschinentyp gemäss Typenschild
- Maschinenummer gemäss Typenschild
- Maschinenindex gemäss Typenschild
- Ersatzteilnummer gemäss Ersatzteilliste

Für Bestellungen, Fragen und Informationen wenden Sie sich bitte an die zuständige Niederlassung.

How to use the spare parts list

The spare parts list is not intended as instructions for assembly or dismantling work. It is exclusively intended to help you to quickly and easily find spare parts, which can then be ordered at the address below.

Safety regulations



Danger

The assembling or dismantling of modules can involve risks which are not identified in this spare parts list.

The use of this spare parts list for assembly or dismantling purposes is strictly forbidden. For assembly or dismantling tasks it is essential to only follow the corresponding descriptions in the operating manual.

If this regulation is not heeded injuries may be incurred which in the worst case can also be fatal.

Ordering



Information

To avoid incorrect deliveries you should check the order details for correctness and completeness (see under ordering details) prior shipment.

You should ensure that the delivery address is given in full.

Order address:

TYROLIT Hydrostress AG

Witzbergstrasse 18
CH-8330 Pfäffikon
Switzerland
Tel. +41 (0) 44 / 952 18 18
Fax +41 (0) 44 / 952 18 00
e-mail: info@tyrolit.com

www.tyrolit.com

Spare Parts List

Ordering details

When spare parts are ordered we need the following details:

- Machine type according to nameplate
- Machine number according to nameplate
- Machine index according to nameplate
- Spare part number according to the spare parts list

For orders, questions and information please contact your responsible branch office.

Utilisation de la liste des pièces détachées

La liste des pièces détachées n'est pas une instruction de montage ou de démontage. Cette liste sert exclusivement à trouver simplement et rapidement les pièces détachées, qui peuvent être commandées à l'adresse mentionnée ci-dessous.

Prescription de sécurité



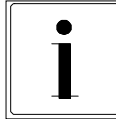
Danger

Le montage ou le démontage des modules peut présenter des risques dont il n'est pas fait mention dans cette liste des pièces détachées.

Il est strictement interdit d'employer cette liste des pièces détachées à des fins de montage ou de démontage. Pour les opérations de montage et de démontage, il faut exclusivement suivre les descriptions correspondantes dans le mode d'emploi.

Le non-respect de la présente prescription peut conduire à des blessures, pouvant même entraîner la mort.

Commandes



Information

Pour éviter des livraisons inappropriées, il est conseillé de vérifier avant l'expédition l'exactitude et l'exhaustivité des indications fournies dans la commande (voir Données de commande).

Il faut aussi veiller à bien indiquer l'adresse de livraison en entier.

Adresse de commande :

TYROLIT Hydrostress AG

Witzbergstrasse 18
CH-8330 Pfäffikon
Switzerland
Tel. +41 (0) 44 / 952 18 18
Fax +41 (0) 44 / 952 18 00
e-mail: info@tyrolit.com

www.tyrolit.com

Liste des pièces détachées

Données de commande

Lors de la commande de pièces détachées, nous avons besoin des données suivantes :

- Type de machine selon la plaque signalétique
- Numéro de machine selon la plaque signalétique
- Indice de machine selon la plaque signalétique
- Numéro de pièce détachée selon la liste des pièces détachées

Pour les commandes, questions et informations, vous êtes prié de vous adresser à la filiale compétente.

Uso della lista delle parti di ricambio

La lista delle parti di ricambio non è un manuale d'istruzioni per montaggio o smontaggio. Questa lista delle parti di ricambio serve esclusivamente per trovare in modo semplice e rapido parti di ricambio che possono essere ordinate all'indirizzo riportato qui sotto.

Norme di sicurezza



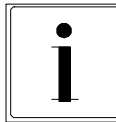
Pericolo

Il montaggio o lo smontaggio di componenti della macchina può comportare pericoli che non sono indicati in questa lista delle parti di ricambio.

E' assolutamente vietato servirsi di questa lista delle parti di ricambio per scopo di montaggio o di smontaggio. Per operazioni di montaggio o smontaggio occorre seguire esclusivamente le relative istruzioni nel manuale per l'uso della macchina.

La mancata osservanza di queste norme può comportare lesioni, e nel caso peggiore anche la morte.

Ordinazioni



Informazioni

Per evitare forniture incorrette, occorre verificare prima dell'invio dell'ordinazione se i dati indicati in essa sono corretti e completi (vedere la lista dei dati per l'ordinazione).

Occorre verificare anche se l'indirizzo per la consegna è esatto e completo.

Indirizzo per ordinazioni:

TYROLIT Hydrostress AG

Witzbergstrasse 18
CH-8330 Pfäffikon
Switzerland
Tel. +41 (0) 44 / 952 18 18
Fax +41 (0) 44 / 952 18 00
e-mail: info@tyrolit.com

www.tyrolit.com

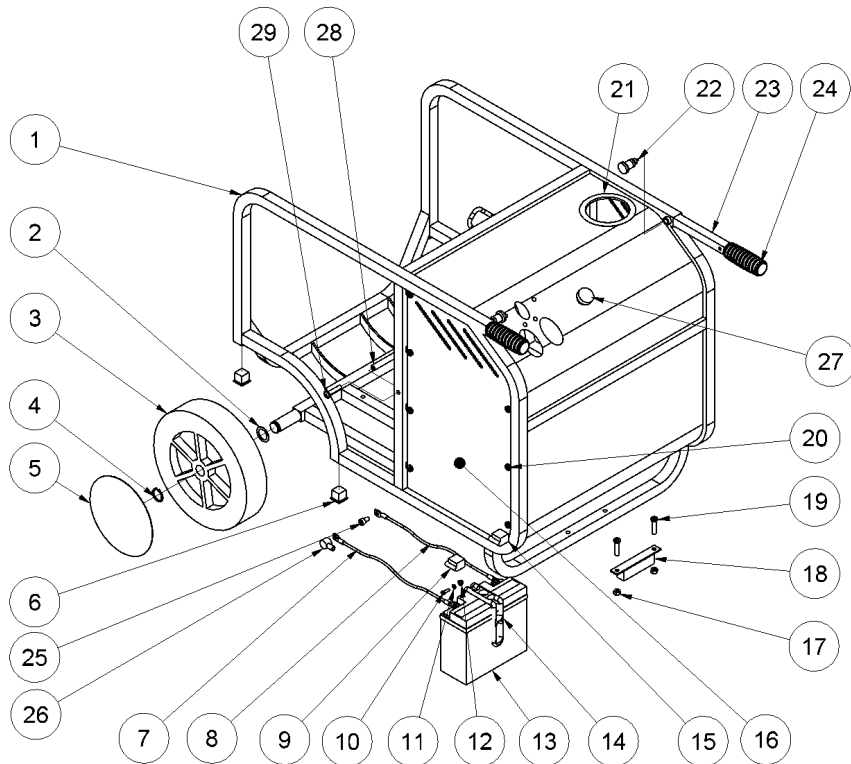
Lista delle parti di ricambio

Dati per l'ordinazione

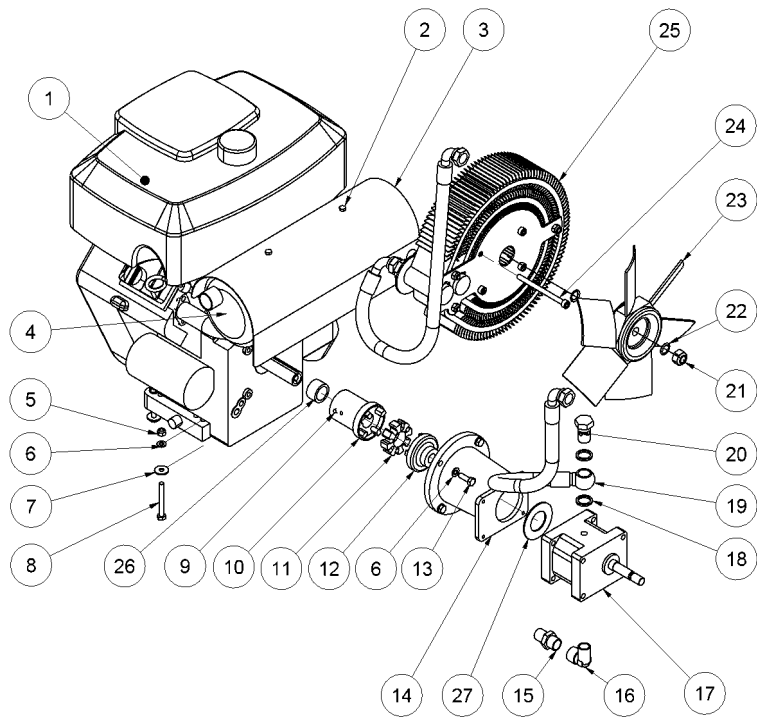
Per ordinazioni di parti di ricambio ci occorrono i dati seguenti:

- Tipo di macchina indicato sulla targhetta della macchina
- Numero della macchina indicato sulla targhetta della macchina
- Indice della macchina indicato sulla targhetta della macchina
- Numero della parte di ricambio secondo la lista di parti di ricambio

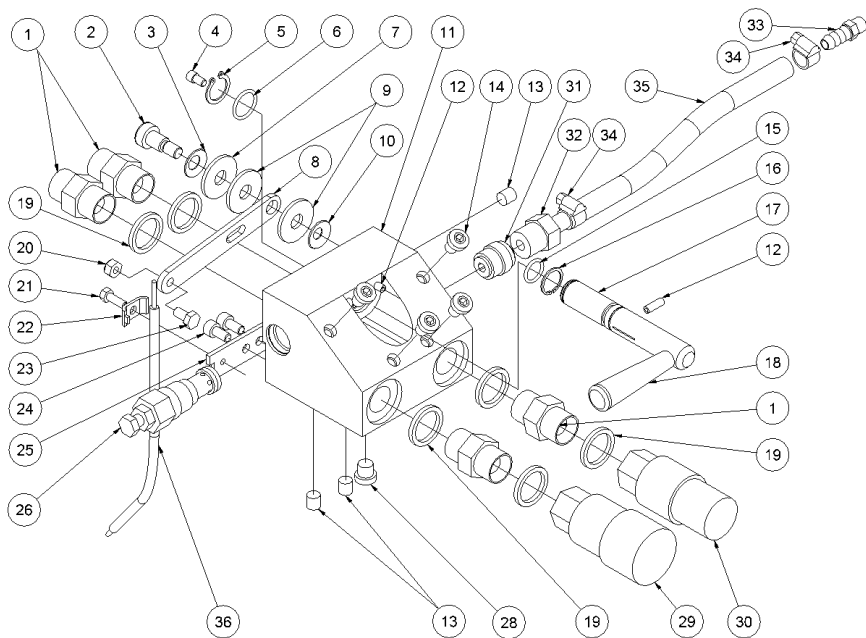
Per ordinazioni, domande o richieste d'informazioni Vi preghiamo di rivolgerVi all'agenzia competente.



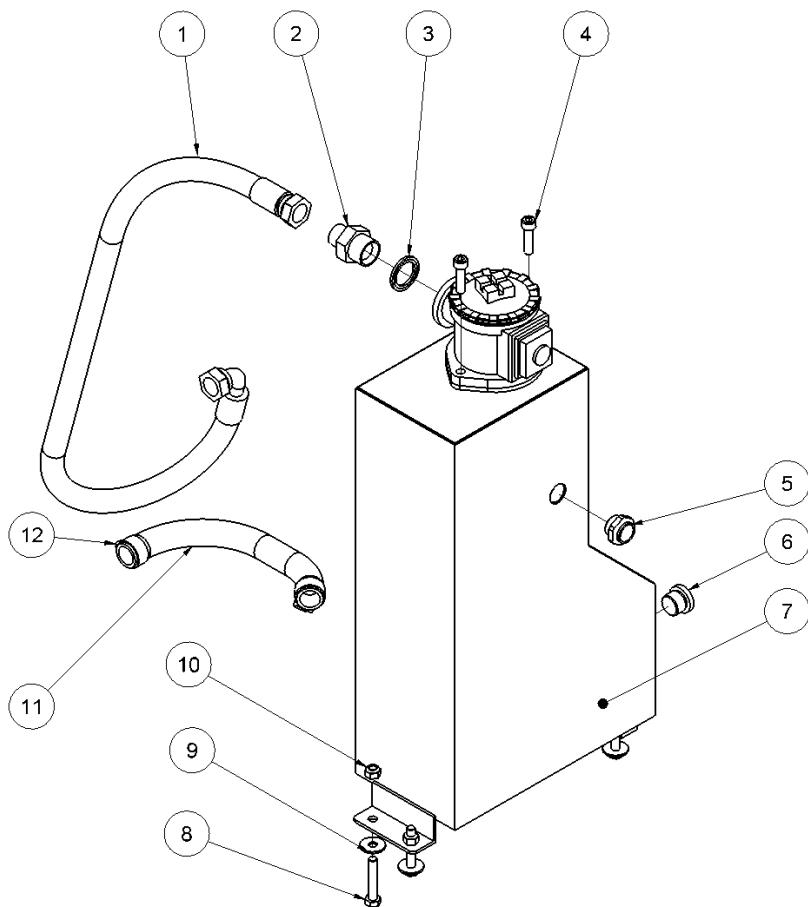
Pos.	Mat.-Nr.	HS-Nr.	Bezeichnung	Stck.
1	10986682	EOHY-8221186	Chassis complete HPP18	1
2	10986650	EOHY-7621100	Shim ring 25/35/1 mm	2
3	10986669	EOHY-7721139	Wheel HPP13/18	2
4	10986648	EOHY-7621098	Retaining ring 25x2	2
5	10986670	EOHY-7721140	Wheel cover	2
6	10986668	EOHY-7721125	Tube plug 25x25	4
7	10986705	EOHY-9021564	Cable red w/cable terminal	1
8	10986706	EOHY-9021565	Cable black w/cable terminal	1
9	10986672	EOHY-7721196	Cover (battery)	1
10		-	Screw (incl. in 7321194)	2
11		-	Washer (incl. in 7321194)	2
12		-	Nut (incl. in 7321194)	2
13	10986608	EOHY-7321194	Battery 12V/17Amp	1
14	10986675	EOHY-7721198	Rubber strap	1
15	10986671	EOHY-7721195	Cover (battery)	1
16	10986683	EOHY-8221187	Side cover set HPP18	1
17	10986471	EOHY-7621010	Lock nut M8	2
18	10986698	EOHY-8721095	Rubber foot	1
19	10986642	EOHY-7621046	Screw M8x35	2
20	10986638	EOHY-7621042	Screw M8x10	14
21	10986704	EOHY-9021563	Rubber band	1
22	10986673	EOHY-7721197	Bolt <i>Loctite</i> 243	2
23	10986684	EOHY-8221313	Pull-out handle	2
24	10986676	EOHY-7721199	Rubber grip <i>Loctite</i> 495	2
25	10986476	EOHY-7631395	Screw M8x14	1
26	10986677	EOHY-7721950	Cover (battery)	1
27	10986609	EOHY-7322167	Emergency stop switch	1
28	10986694	EOHY-8222178	Safety rod	1
29	10986662	EOHY-7621795	Screw M8x40	2



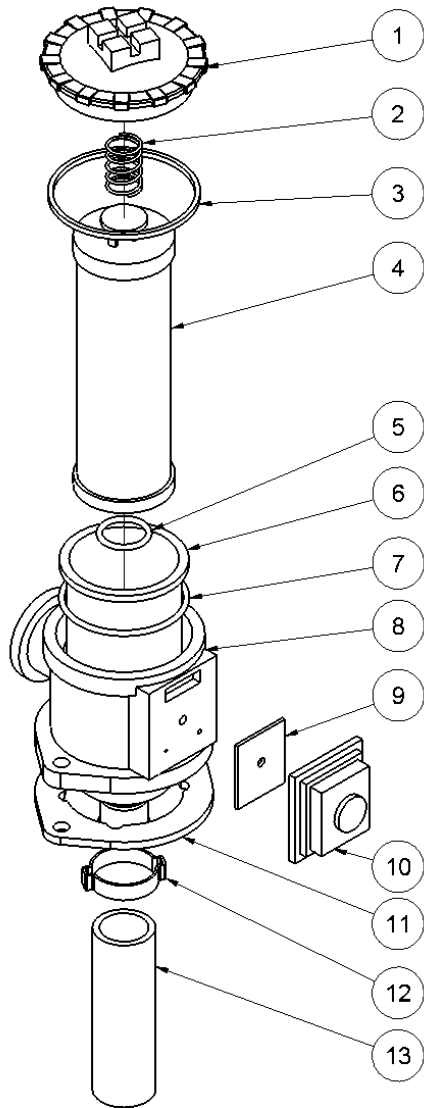
Pos.	Mat.-Nr	HS-Nr.	Bezeichnung	Stck.
1	10986605	EOHY-7321057	Engine 18 HP Vanguard	1
2	10986637	EOHY-7621040	Screw M6x10	2
3	10986686	EOHY-8221337	Exhaust cover	1
4	10986687	EOHY-8221478	Exhaust	1
5	10986471	EOHY-7621010	Lock nut M8	4
6	10986653	EOHY-7621171	Washer M8	8
7	10986472	EOHY-7621035	Washer M8	4
8	10986644	EOHY-7621048	Screw M8x65	4
9	10986635	EOHY-7621032	Set screw M6x8 <i>Loctite 243 - 5 Nm</i>	1
10	10986614	EOHY-7421066	Coupling engine part	1
11	10986619	EOHY-7421083	Rubber coupling	1
12	10986615	EOHY-7421067	Coupling pump 20Nm	1
13	10986636	EOHY-7621038	Screw 5/16" UNFx25 <i>Loctite 243 - 20 Nm</i>	4
14	10986616	EOHY-7421068	Coupling housing	1
15	10986617	EOHY-7421080	Hose fitting 3/4"x1/2" <i>Loctite 542</i>	1
16	10986611	EOHY-7421060	Angle nipple 1/2" <i>Loctite 542</i>	1
17	10986610	EOHY-7421016	Pump 12.5 ccm	1
18	10986630	EOHY-7521072	Seal ring 1/2"	2
19	10986699	EOHY-8721312	Pressure hose	1
20	10986612	EOHY-7421062	Banjo bolt 1/2" 80Nm	1
21	10986651	EOHY-7621111	Nut M14x1.5 <i>40 Nm</i>	1
22	10986652	EOHY-7621117	Spring washer M14	2
23	10986696	EOHY-8321561	Fan ø280-6	1
24	10986639	EOHY-7621043	Screw M8x110 <i>Loctite 243 - 15 Nm</i>	4
25	10986602	EOHY-2121103	Cooler complete <i>See fig. 6</i>	1
26	10986688	EOHY-8221560	Distance piece	1
27	10986716	EOHY-9922133	Centering washer	1



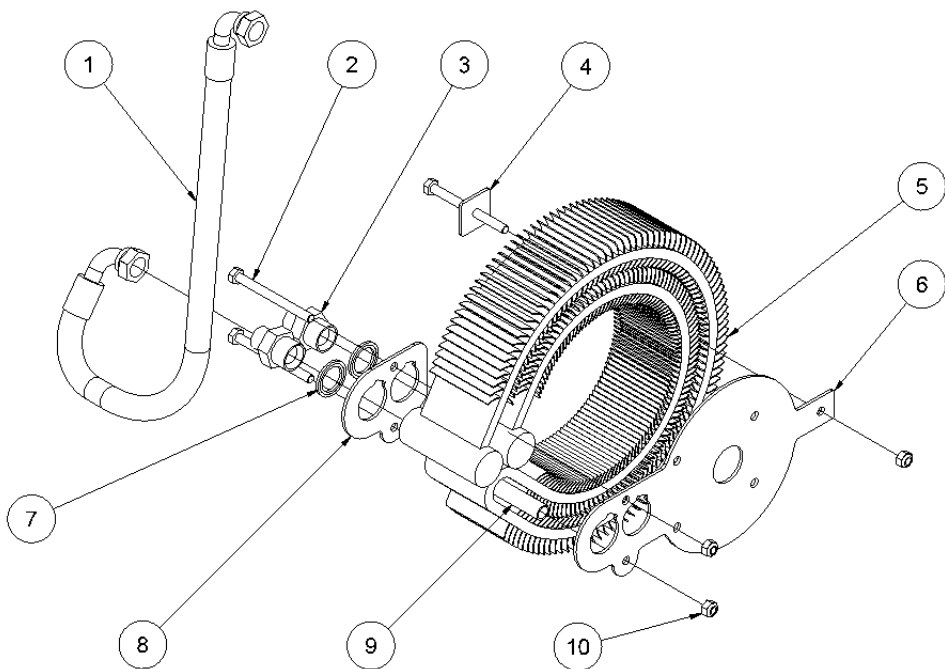
Pos.	Mat.-Nr	HS-Nr.	Bezeichnung	Stck.
1	10986613	EOHY-7421063	Fitting 1/2"x1/2" BSP	4
2	10986657	EOHY-7621647	Shoulder bolt \varnothing 10/M8x12	1
3	10986658	EOHY-7621648	Disc spring \varnothing 10.2/ \varnothing 20x0.8	1
4	10986697	EOHY-8621658	Screw M5x8 <i>Loctite 638</i>	1
5	10986655	EOHY-7621606	Retaining ring A17	1
6	10986633	EOHY-7521609	O-ring 17x2 mm	1
7	10986715	EOHY-7621809	Washer 10x30x2	1
8	10986690	EOHY-8221650	Eccentric plate	1
9	10986659	EOHY-7621649	Nylon washer \varnothing 10.5/30/2.5	2
10	10986660	EOHY-7621651	Disc spring \varnothing 8.2/ \varnothing 20x1.0	1
11	10986693	EOHY-8221731	Valve block	1
12	10986646	EOHY-7621050	Roll pin \varnothing 5x14	3
13	10986474	EOHY-7621037	Pipe plug 1/8" <i>Loctite 542</i>	3
14	10986640	EOHY-7621044	Screw M8x16	4
15	10986632	EOHY-7521608	O-ring 13x2 mm	1
16	10986656	EOHY-7621607	Retaining ring AV17	1
17	10986689	EOHY-8221605	Spool	1
18	10986666	EOHY-7721094	Lever ON/OFF <i>Loctite 243</i>	1
19	10986630	EOHY-7521072	Seal ring 1/2"	6
20	10986634	EOHY-7621029	Nut M6	1
21	10986709	EOHY-9921656	Screw M5	1
22	10986710	EOHY-9921657	Cable clamp	1
23	10986691	EOHY-8221652	Screw	1
24	10986661	EOHY-7621653	Screw M6x12 <i>Loctite 243</i>	2
25	10986692	EOHY-8221655	Cable plate	1
26	10986625	EOHY-7421587	Pressure relief valve 40Nm	1
28	10986654	EOHY-7621323	Threaded plug 1/8" w/seal	1
29	10986457	EOHY-7401142	Q.R. coupling 1/2" BSP female	1
30	10986456	EOHY-7401141	Q.R. coupling 1/2" BSP male	1
31	10986626	EOHY-7421733	Check valve	1
32	10986628	EOHY-7421735	Hose fitting 3/8"x1/2" <i>Loctite 542</i>	1
33	10986627	EOHY-7421734	Hose fitting 3/8"x1/8" <i>Loctite 542</i>	1
34	10986629	EOHY-7421740	Hose clip 3/8"	2
35	10986707	EOHY-9021739	Hose 3/8"	1
36	10986708	EOHY-9022063	Throttle cable complete	1
-	2121742		Valve block complete HPP18V	1



Pos.	Mat.-Nr	HS-Nr.	Bezeichnung	Stck.
1	10986701	EOHY-8721583	Cooler pressure hose	1
2	10986624	EOHY-7421582	Fitting 1/2"x3/4"	1
3	10986631	EOHY-7521118	Seal ring 3/4"	1
4	10986641	EOHY-7621045	Screw M8x30 <i>Loctite 243</i>	2
5	10986667	EOHY-7721099	Sight glass 1/2" w/seal	1
6	10986647	EOHY-7621075	Threaded plug 1/2" w/seal	1
7	10986685	EOHY-8221325	Hydraulic tank HPP18	1
8	10986645	EOHY-7621049	Screw M8x45	4
9	10986472	EOHY-7621035	Washer M8	4
10	10986471	EOHY-7621010	Lock nut M8	4
11	10986703	EOHY-9021479	Suction hose	1
12	10986618	EOHY-7421082	Hose clip 3/4"	2



Pos.	Mat.-Nr	HS-Nr.	Bezeichnung	Stck.
1	10986731	EOHY-9421189	Filter cover	1
2	10986732	EOHY-9421193	Filter spring	1
3	10986733	EOHY-9421502	Seal f/filter cover <i>Also included in 9421188</i>	1
4	10986734	EOHY-9421190	Filter element <i>Pos. 4-8</i>	1
5	-		O-ring $\varnothing 3 \times 22$ <i>Included in 9421188</i>	1
6	-		Filter cup	1
7	-		O-ring $\varnothing 3 \times 22$ <i>Included in 9421188</i>	1
8	-		Filter housing	1
9	10986735	EOHY-9422041	Ventilation filter	1
10	10986736	EOHY-9422042	Cover f/ventilation filter	1
11	-		Seal <i>Included in 9421188</i>	1
12	10986737	EOHY-7621789	Hose clamp	1
13	10986738	EOHY-9022043	Filter hose	1
-	10986739	EOHY-9421188	Seal kit filter <i>Pos. 3, 5, 7 and 11</i>	1
-	10986740	EOHY-8421092	Filter complete <i>Pos. 1-13</i>	1



Pos.	Mat.-Nr	HS-Nr.	Bezeichnung	Stck.
1	10986702	EOHY-8721584	Cooler pressure hose	1
2	10986643	EOHY-7621047	Screw M8x90	3
3	10986624	EOHY-7421582	Fitting 1/2"x3/4"	2
4	10986681	EOHY-8221121	Plate	1
5	10986695	EOHY-8321093	Cooler \varnothing 280-12	1
6	10986679	EOHY-8221112	Bracket for cooler	1
7	10986631	EOHY-7521118	Seal ring 3/4"	2
8	10986680	EOHY-8221116	Plate	1
9	10986678	EOHY-8221086	Distance pipe \varnothing 12x1.5	1
10	10986471	EOHY-7621010	Lock nut M8	3
-	10986602	EOHY-2121103	Cooler complete <i>Pos. 2, 4, 5, 6, 8, 9, 10</i>	1