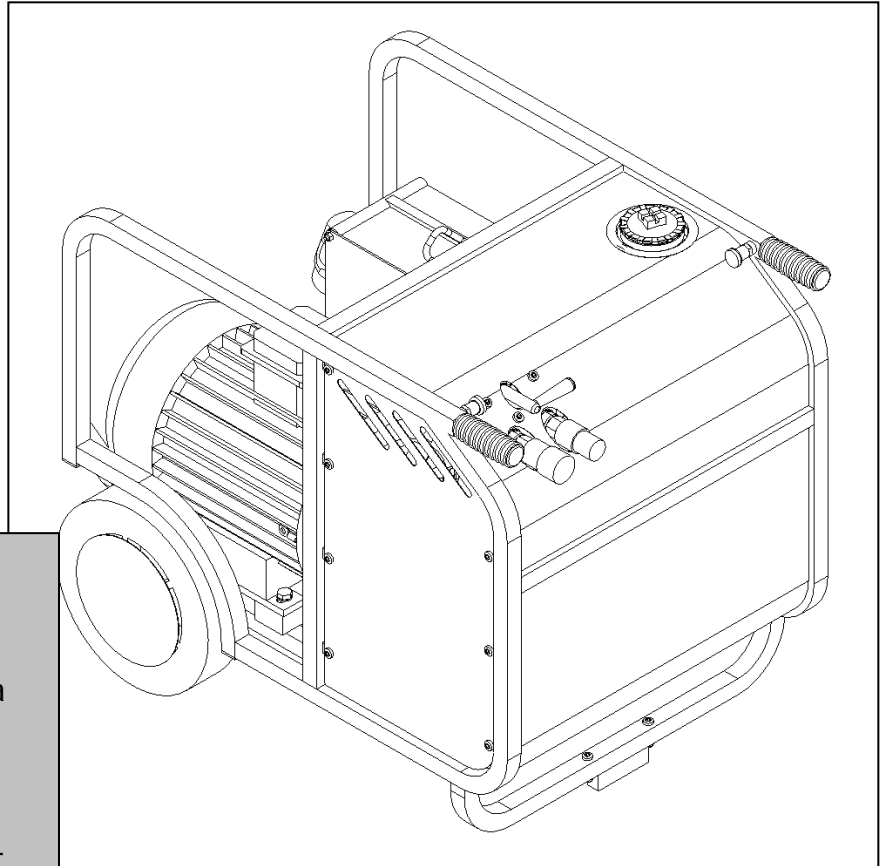


Operating Manual

HPP18E Hydraulic Powerpack

From serial number 1443

Revised
August 2004



Prior to Operation

We thank you for choosing a HYCON powerpack.

Please note that the powerpack is delivered without hydraulic oil, and therefore it must be filled up with hydraulic oil prior to operation.

To ensure smooth operation and long-lasting performance of your new powerpack, we recommend that you study this operating manual carefully and pay special attention to the

Safety and Service Precautions

We hope you will be satisfied with your new HYCON powerpack.

Best regards
HYCON A/S



HYCON A/S
Vester Hassingvej 33
DK-9320 Hjøllrup
Denmark

Tel: +45 9647 5200
Fax: +45 9647 5201
Mail hycon@hycon.dk
www.hycon.dk

Contents

	Page
Safety precautions.....	2
Filling up hydraulic oil	2
Technical data.....	3
Starting instructions	4
Service, maintenance and hydraulic settings	5
Oil types	6
EC-Declaration of Conformity	7
Warranty conditions	8
Electrodiagram	9
Spare parts list	10

Safety Precautions

1. Always use protective earplugs. The powerpack complies with the EC noise limits, but by daily long-lasting operation there is a risk of hearing defects.
2. Always connect hoses before starting.
3. Always keep the electric box, cables and sockets clean.
4. In case of non-operation or performance of service, always turn off the motor.
5. Never start the engine without side covers.
6. Operation of the powerpack without tool connected and with lever at "ON" may cause overheating of the system and damage to the powerpack.
7. When lifting the powerpack from a vehicle, we recommend the use of a crane.
8. The pressure relief valve is set at 160 bar from our plant. Never set it higher.
9. Always use filters with by-pass. The use of filters without by-pass may blow the hydraulic hoses and the filter cover.

Filling Up Hydraulic Oil

- To fill up with hydraulic oil, loosen the filter cover on top of the powerpack.
- Remove the filter element (see photo), and fill up with oil. When oil is showing at the bottom of the filter unit, there is enough oil on the powerpack.
- Insert the filter element again, mount the cover and the powerpack is ready for use.

Please note: When connecting new extension hoses, it is necessary to fill up with extra 2 litres of oil. Therefore always top up the powerpack when connecting new extension hoses.



Technical Data

Hydraulics

The HYCON HPP18E open centre hydraulic powerpack is designed in accordance with the EHTMA categories D and E, which prescribe a performance of minimum 30 l.p.m. or 40 l.p.m. at 138 bar. The HYCON powerpack is fully compatible with and sufficient for the common European tools.

The powerpack is mounted with a pressure relief valve to avoid a too high pressure. Furthermore, the very efficient air cooling protects the powerpack against overheating.

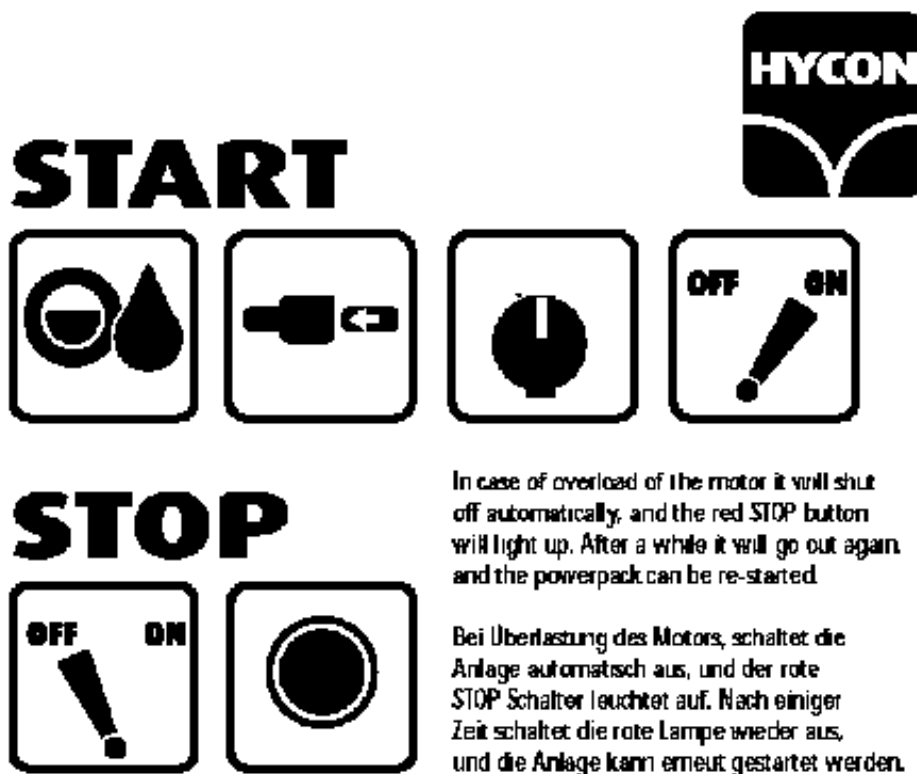
Oil flow	30 l.p.m. or 40 l.p.m.
Working pressure nominal	120 bar
Pressure relief valve	Set at 160 bar
Pump	Gear pump
Oil temperature	Max. 70° C
Hydraulic oil tank capacity	Min. 8 litres/max. 11 litres
Hydraulic system compl.	Max. 12 litres
Filter system (filter element)	25 Micron with by-pass
Motor	Electric motor 11 kW, 3x400 V, 50 Hz 2900 r.p.m.
Fuse min.	25 Amp. at 30 l.p.m. 35 Amp. at 40 l.p.m.
Protection class	IP55
Guaranteed sound power level L_{WA}	98 dB
Sound pressure level 1 m L_{PA}	86 dB
Dimensions (LxWxH)	805x625x695 mm
Weight, without hydraulic oil	128 kg

Starting Instructions

Please observe the starting instructions on the electric box.

- Start:**
- Check hydraulic oil level at sight glass
 - Connect hoses and tool
 - Press the green button
 - If the powerpack does not start, invert the phases in the socket by means of a screw driver
 - Move the lever to "ON"
- Stop:**
- Move the lever to "OFF"
 - Press the "STOP" button

The powerpack is not equipped with a phase inverter. If the motor does NOT start, these phases must be inverted in the socket. Also see above under "Start".



Service, Maintenance and Hydraulic Settings

Service/Maintenance	Daily	Weekly	Yearly
Hydraulic oil	Check		1 x replacement
Hydraulic oil filter *)			1 x replacement
Check hoses		(tighten up if needed)	

*) Use only filters with by-pass

Hydraulic Settings

Check the working pressure by means of test equipment. The test equipment must comprise a pressure gauge, a flow meter and a valve for adjustment of pressure.

The pressure relief valve is placed on the valve block on the right side.

1. Connect the test equipment, start the powerpack and move the lever to "ON". Then close the valve on the test equipment - the pressure gauge must show between 155 and 160 bar.

Adjust the pressure relief valve by loosening the lock nut and turning the adjustment screw in or out. "In" increases the pressure, and "out" decreases the pressure.

Retighten the lock nut after adjustment.

2. When the pressure relief valve has been adjusted correctly, the working pressure must be set at 100 bar by means of the valve on the test equipment. At 100 bar check that the oil flow is correct according to the technical data.

If correct pressure/oil flow cannot be achieved by following the above instructions, the powerpack must be re-adjusted. If the pressure/oil flow is then still incorrect, the pump is defect and must be replaced.

Oil Types

The HYCON powerpack uses standard hydraulic oil, i.e. all types of mineral oil and biodegradable oil, which comply with the following values:

Recommended viscosity	20-40 cSt
Permitted viscosity	15-1000 cSt
Viscosity index	Min. 100
Temperature area	-20° to +70° C



EC-Declaration of Conformity

HYCON A/S
Vester Hassingvej 33
DK-9320 Hjallerup
Denmark

Tel: +45 9647 5200
Fax: +45 9647 5201
Mail hycon@hycon.dk
www.hycon.dk

We hereby declare that

HPP18E hydraulic powerpack – from serial No. 1443
(with 11 kW electric motor)

is manufactured in conformity with the EC Directives 98/37/EC and 2000/14/EC.

Notified Body 1585:

AkustikNet A/S
Frederikssundsvej 179 B
DK-2700 Brønshøj
Denmark

Guaranteed sound power level: 98 dB

HYCON A/S
Vester Hassingvej 33
DK-9320 Hjallerup
Denmark

A handwritten signature in blue ink, appearing to read "Henrik Steen".

Henrik Steen
General Manager

15.05.2003

Warranty Conditions

We grant 12 months warranty from the first date of operation – however, not more than 18 months from the date of delivery.

The warranty applies to faults that can be related to construction and production errors.

Faults caused by incorrect operation, incorrect handling, lack of maintenance or the like will not be accepted as warranty.

The warranty covers the parts necessary for repair and the suggested average time needed for repair.

For further warranty details, please contact your local dealer.